



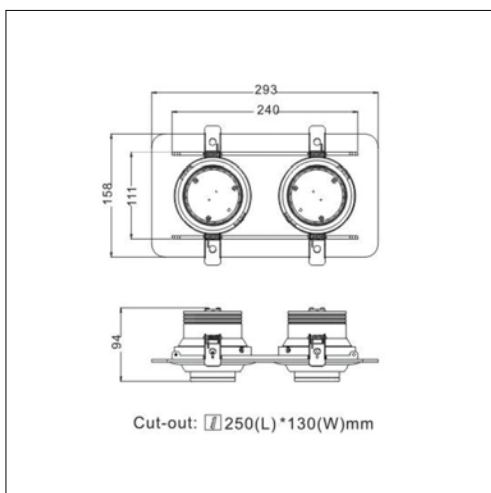
HASKEN SQUARE.2

COLORI DISPONIBILI / AVAILABLE COLOURS :

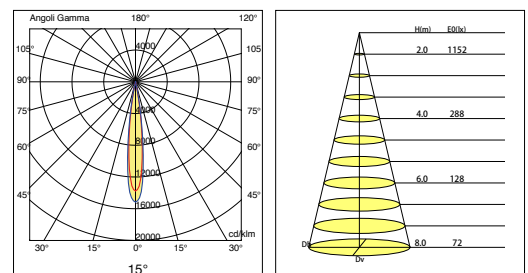


CODICE CODE	LED Watt (W)	Lumen (lm)	Ottica Optic	Temperatura colore (k) Colour temperature (k)
990L20172 15	2x15W	1317x2	15°	4000K CRI 80

*Moduli COB LED CREE
* COB LED CREE Modules



15W



PESO / WEIGHT

HASKEN SQUARE.2 1,50 kg