



THETALED

ASIMMETRICO

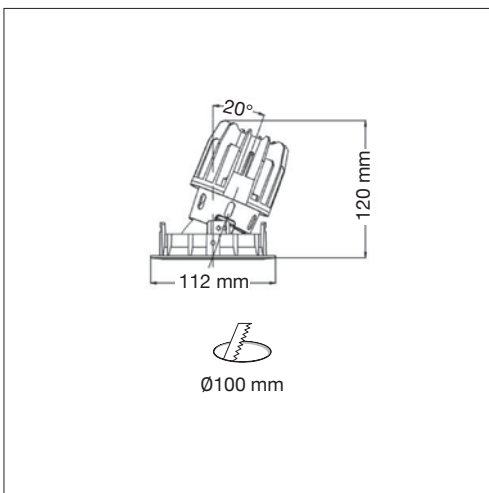
Asymmetric

COLORI DISPONIBILI / AVAILABLE COLOURS :

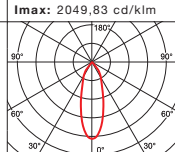


- Completo di alimentatore
- Complete with driver

CODICE CODE	LED Watt (W)	Lumen (lm)	Ottica Optic	Temperatura colore (k) Colour temperature (k)
990L1008	12,8W	1235	45°	3000k CRI 80



45°

LED 12,8W 3000°K 45°	Imax: 2049,83 cd/klm		Lux	
	h	d	Em	
	2	1,65	512	
	4	3,31	128	
	6	6,62	57	
	8	13,25	32	

PESO / WEIGHT

THETALED 0,95 kg